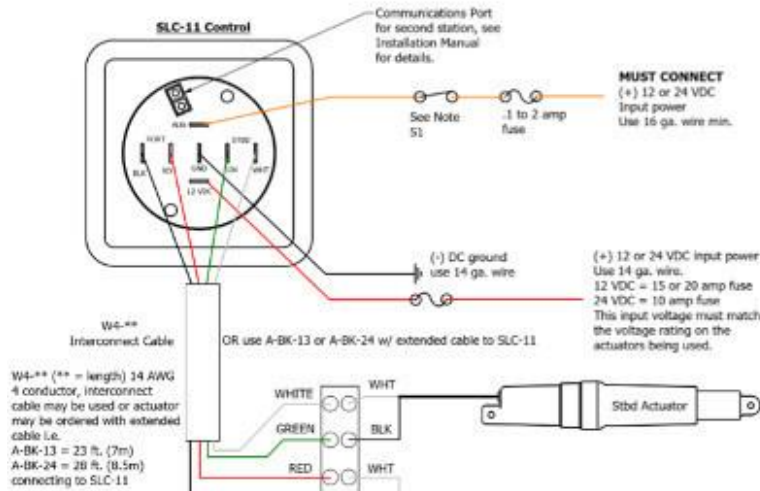


"SLC-11" Control Installation/Wiring Diagram



Note (for S1):
 SLC-11 AUX terminal function:

- 1) Switch (S1) opens, 12 VDC power to initiate a 10 second tab retract and SLC-11 control will shut down.
- 2) The AUX terminal is typically connected to a +12 VDC source that is shut down after docking to allow tabs to retract, recalibrate and prevent damage. The AUX terminal may be connected to ignition key accessory terminal or an accessory switch.

