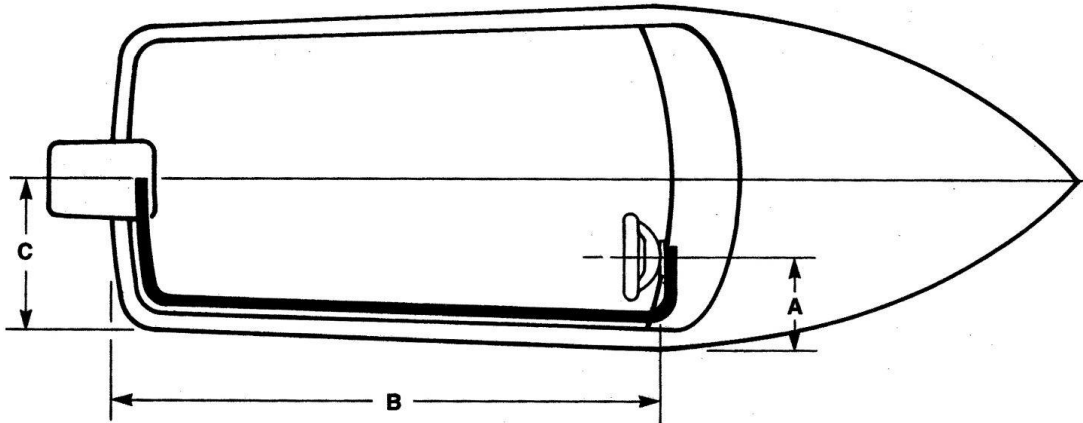


# ABSOLUTE *marine*



How to calculate the length of steering cable that you require for a new installation.

1. Add A + B + C
2. Then subtract 100 mm for each 90° bend that the cable undertakes (typically two = 200mm).
3. For a typical installation that feeds the cable through the engine tilt tube, add 305 mm to the total measurement.
4. Steering systems are typically measured in feet, so divide the total by 304.8 and round up to the next whole foot.
5. By example A = 300, B = 3000, C= 800  
Length = 300 + 3000 + 800 - 200 + 305 = 4205

Therefore length  $4205/304.8 = 13.79$  Ft – Round up to 14 ft